

INDUZIONE TOP E900XP
INDUCTION TOP E900XP

PNC	Model	Ref	Pag.	Brand	Version	Notes
391042	E9INED2000	a		ELX	IND	TOP 400 MM
391043	E9INEH4000	b		ELX	IND	TOP 800 MM
391168	E9INED200N	c		ELX	IND	TOP 400 MM-230V
391169	E9INEH400N	d		ELX	IND	TOP 800 MM-230V
392042	Z9INED2000	e		ZAN	IND	TOP 400 MM
392043	Z9INEH4000	g		ZAN	IND	TOP 800 MM
392168	Z9INED200N	h		ZAN	IND	TOP 400 MM-230V
392169	Z9INEH400N	i		ZAN	IND	TOP 800 MM-230V
393042	A9INED2000	l		OEM	IND	TOP 400 MM
393043	A9INEH4000	m		OEM	IND	TOP 800 MM
393168	A9INED200N	n		OEM	IND	TOP 400 MM-230V
393169	A9INEH400N	o		OEM	IND	TOP 800 MM-230V



PLATON SERVICE

8 (800) 500-34-41

www.platonservice.com

Pag **Index**
 2 General componets
 3,4 Spare parts list

Indice
 Componenti struttura
 Lista ricambi

Note
 TECH. BUL.PDX2014-01

Brand/Marchio: All
 Factory code: 9PDX

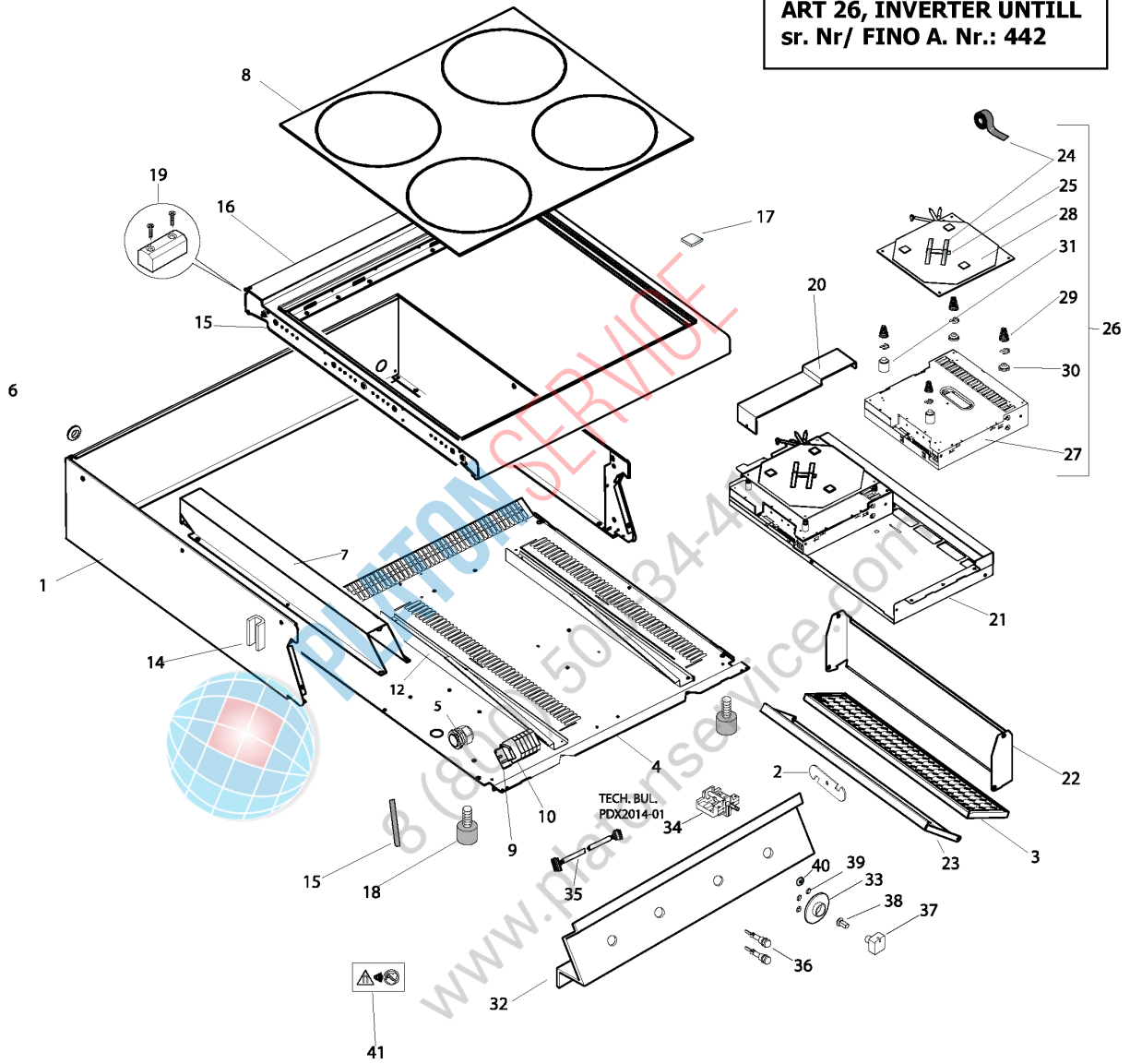
From sr. Nr/ Da Ser. Nr.: 116
UNTILL sr. Nr/ FINO A. Nr.: 442

Page | 1

Ed. 2014 01

Doc. Nr.: **59785FT00**

ART 26, INVERTER UNTILL
sr. Nr/ FINO A. Nr.: 442



??????	391278									
??????	59785FT00	???????? 2	General componets							
.		Alias		S		.				(Euro)
0001	000000	085089DR00							ELX TOP 400	
0001	000000	085089DS00							ELX TOP 800	
0001	000000	085089DU00							ZAN, OEM TOP 400	
0001	000000	085089DV00							ZAN, OEM TOP 800	
0002	000000	0532839200								
0003	0C3977	0800836500						FILTER; N900		82,52
0004	000000	0532841800							800	
0004	000000	0532842500							400	
0005	0C3528	0544802400						FIXING CABLE		7,00
0006	005382	0246530100		S				GROMMET; DIA.22		2,05
0007	000000	0532843501								
0008	0C7187	0574820600		S				CERAMIC GLASS PLATE; 743X693MM	800	644,15
0008	0C7876	0574820100						CERAMIC GLASS PLATE; 693X343MM	400	403,16
0009	059239	0639805001	0F0035					TERMINAL BOARD; 10MM2	400 MM - 400V	
0009	0F0112	0639808600						TERMINAL BOARD		29,45
0010	000000	0532843700								
0012	000000	0532841400								
0014	0C0156	0527850500						BRACKET		2,48
0015	0C2496	0543821900		S				GASKET; CONTROL PANEL; BY METER: GREY		6,25
0016	0C7213	085589BB00			D			SHELF	ELX	401,10
0016	0C7874	085589BF00						SHELF	ZAN, OEM	275,77
0016	0C7875	085589BG00						SHELF	ZAN, OEM	395,86
0016	0C7898	085589BA00						SHELF	ELX	277,83
0017	0C0069	0546810400		S		Kit		SPACER; SET 10 PCS		3,63
0018	026806	0315252601		S				FOOT WITH SCREW M6; Ø=18MM		2,88
0019	0C0137	0516860702				+		PLATE		
0020	0C9167	0532841300			D			CLOSURE PANEL		17,53
0021	0TTP63	0532842000			D			MOUNTING PLATE		
0022	000000	0532841201								
0023	000000	0532843800								
0024	0G3527							SELF-STICK STRIP; HIGH TEMPERATURE	HIGHT TEMP	189,03
0025	0K4302		0K5176	A				PROBE; PT1000/INDUC-COIL; 49CM	49 Cm , PT1000	
0026	0C8304	83089G600			A			INVERTER; 230V 5000W; COMPLETE	c,d,h,i,n,o - Art: 24+25+27+28+29+30+31 - 230 V	1 770,91
0026	0C8305	83089G500		S				INVERTER; 400V 5000W; COMPLETE	a,b,e,g,l,m - Art: 24+25+27+28+29+30+31 - 400 V	1 431,34
0027	0C7867	0873879802	0C8305					INVERTER; VARIO ATICS; 5KW/400V	a,b,e,g,l,m - 400 V	

??????	391278								
??????	59785FT00	???????? 2	General componets						
.		Alias		S			.		(Euro)
0027	0C8086	0873880001	0C8304					INVERTER; VARIO ATICS; 5KW/230V	c,d,h,i,n,o - 230 V
0028	0C0027	0830897600	0G6556		A			INDUCTION COIL; 5 KW 400V DIA.220	a,b,e,g,l,m - Art: 25+24 - 400 V
0028	0C0037	0830898001						INDUCTION COIL; DIA.220 5KW 230V	c,d,h,i,n,o - Art:25+24 - 230 V
0029	0C4002	0516892500						SPRING	16,49
0030	0C4003	0516892300	0G8061					PIVOT; SHORT PIN	
0031	0C4004	0516892400	0G4823					PIVOT; LONG PIN	
0032	000000	050389LJ00							OEM
0032	000000	050389LK00							OEM
0032	0C7201	085089AZ00						CONTROL PANEL	ELX
0032	0C7210	085589A500						CONTROL PANEL	ELX
0032	0C7645	085089FU00						CONTROL PANEL	ZAN
0032	0C7646	085089FV00						CONTROL PANEL	ZAN
0033	0C7176	0548877C00		S				RING NUT	ELX
0033	0C7177	0548877D00		S				RING NUT	ELX
0033	0C7639	0548879K00						RING NUT	ZAN, OEM
0033	0C7640	0548879L00						RING NUT	ZAN, OEM
0034	0KI631	0641804000				PDX2014 -01	SWITCH		TECH. BUL.PDX2014-01
0035	0C3978	0633831300					FEMALE CONNECTOR; EXTENSION		TECH. BUL.PDX2014-01
0036	0C3999	0660808100	0G5859		D		LAMP; RED LAMP 12V		TECH. BUL.PDX2014-01
0036	0C4000	0660808200	0G5860		D		LAMP; GREEN LAMP 12V		TECH. BUL.PDX2014-01
0036	0C6109	0831840200			D	PDX2014 -01	COMMUTATOR; KIT; WITH CABLE AND LAMP		TECH. BUL.PDX2014-01
0037	0A5621	0548865500		S			KNOB; Ø PIN=6MM		OEM
0037	0C6670	0511850G01	0C8700			+	KNOB; DIA.10		ELX
0037	0C7232	0548878201		S			KNOB; DIA.6		ZAN
0038	0C7345	0548877V00		S			KNOB ADAPTER		ELX
0039	069567	0218912211	0C6288				RING CONNECTION		
0040	0C6171	0541813800	0C6172				WASHER; SILICONE		
0041	088313	0147098057		S			PRIMER; UN1993 PG 3,II; 500ML		57,13
0041	088314	0151098052		S			UN 1993 DETERGENT FD- CLEANER; 1 LT; II-2		42,54
0041	0C0024	0598849200					INDICATION PLATE		11,73